

EL[®]MARK

The Brand of Electricity

HENDRIX SERIES



GENERAL INFORMATION »

- ∴ Rated voltage: ~230VAC
- ∴ Power: 11W; 21W;
- ∴ Power supply: DC device - driver
- ∴ LED: Included
- ∴ Light source: Epistar SMD2835
- ∴ Colour temperature: 2800-3200K
- ∴ Colour rendering index: Ra≥80
- ∴ Switch on/off: >15 000
- ∴ Material: Aluminium + Iron + PC
- ∴ Color of body: White and black
- ∴ Protection against dust and moisture: IP40

FEATURES »

- ∴ Stylish and impressive design.
- ∴ Good colour and brightness.
- ∴ No ultraviolet and infrared rays
- ∴ Resistant to shock and vibration stable body
- ∴ Environmentally friendly - no mercury and lead
- ∴ Low heat emission

AREAS OF APPLICATION »

- ∴ Suitable for residential lighting, hotels, restaurants, office, commercial lighting and similar environments

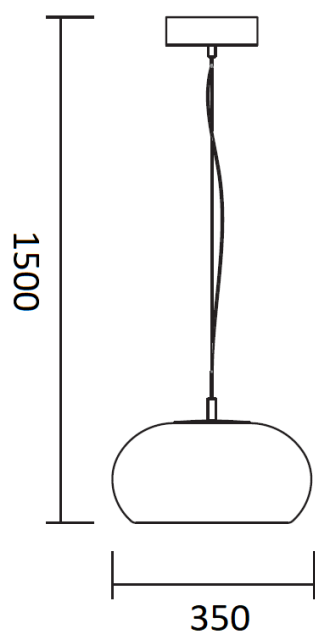
TECHNICAL SPECIFICATION SHEET

[PRODUCT DETAILS »](#)

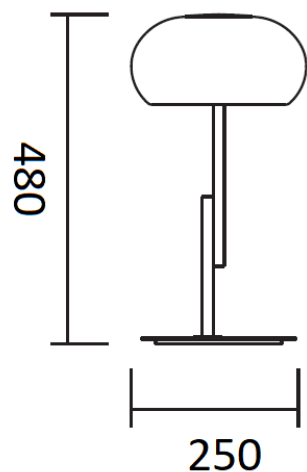
Catalogue number	Description	Watt (W)	Whole fixture lumens (lm)	Colour temp. (K)	Colour
955HENDRIX1T	Table lamp	11	770	2800-3200	White & black
955HENDRIX1P	Pendant	21	1470	2800-3200	White & black

[DIMENSIONS »](#)

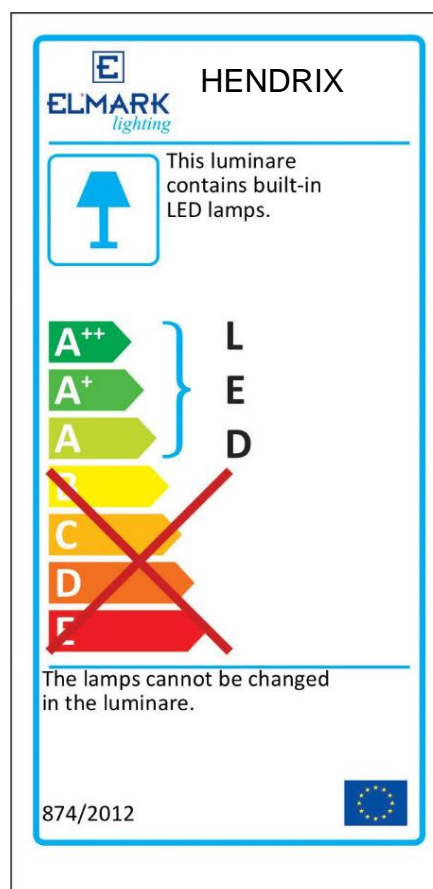
955HENDRIX1P



955HENDRIX1T



[ADDITIONAL INFORMATION »](#)



Catalogue number	Barcode	Packing/ Box (pcs)
955HENDRIX1T	3800131230089	1/1
955HENDRIX1P	3800131230072	1/1

